



# Acme Sanitary Ware Co Ltd





Acme Building, 22-28 Nanking Street, Kowloon, Hong Kong  
Tel: 2388 7171 Fax: 2710 8012  
E-mail: acme@acmesanitary.com.hk  
Website: www.acmesanitaryware.com.hk



Pure Freude  
an Wasser

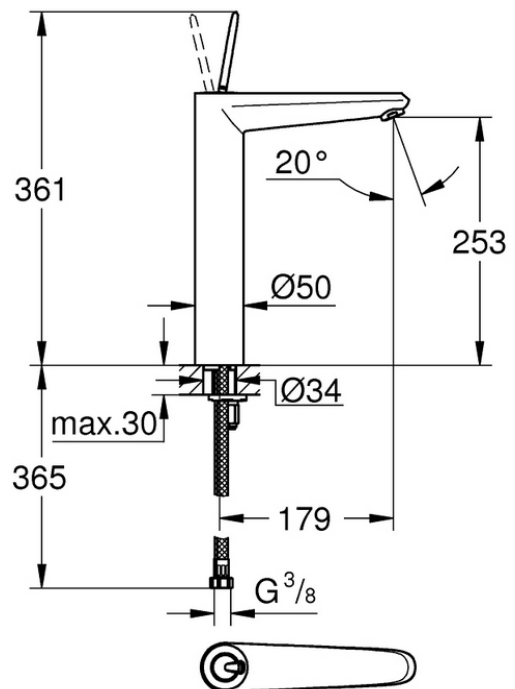
PROJECT		REF		REV	ITEM CODE	
LOCATION		DATE			PAGE	

## SANITARY WARE SPECIFICATION SHEET

Item Descriptions	GROHE (Germany) "Eurodisc Joy" Single-lever freestanding basin mixer 1/2" XL-Size	<p>Illustration/ Drawing</p>    
Dimensions	L179 x W50 x H361 mm	
Model	23428LS0	
Finish	Moon White	
Manufacturer	GROHE Limited	
Supplier	Acme Sanitary Ware Co. Ltd Mr. Eric Wong/ Mr. Don Yuen	
Contact Tel/Fax E-mail Website	(852) 2388-7171 / (852) 2710-8012 acme@acmesanitary.com.hk www.acmesanitary.com.hk	

### "Eurodisc Joy" Basin mixer 1/2" XL-Size

- monobloc installation
- metal lever
- **for free-standing basins**
- GROHE FeatherControl Joystick cartridge
- **GROHE EcoJoy** SpeedClean mousseur 5.7 l/min
- **GROHE StarLight** chrome finish
- **GROHE FastFixation Plus** installation system
- smooth body
- flexible connection hoses



### Colour options:

- 000 Chrome
- LS0 MoonWhite

Note:

\* All information of the above is for the reference only. No prior notice is made if any changes.



# Acme Sanitary Ware Co Ltd

Acme Building, 22-28 Nanking Street, Kowloon, Hong Kong  
Tel: 2388 7171 Fax: 2710 8012  
E-mail: acme@acmesanitary.com.hk  
Website: www.acmesanitaryware.com.hk



Pure Freude  
an Wasser

PROJECT		REF		REV	ITEM CODE	
LOCATION		DATE			PAGE	

## SANITARY WARE SPECIFICATION SHEET

### GROHE EURODISC JOY

#### DESIGN THAT GIVES PLEASURE

Out of the ordinary. Take it easy for the whole day – just switch off your mind and let inspiration into your everyday life. Eurodisc Joy bathrooms were created for connoisseurs of pleasure, who love unique things and appreciate creative details. This collection is so special that it won us the Red Dot Design Award.



#### Easy to clean thanks to the GROHE StarLight chrome coating

Just wipe the tap down with a dry cloth – the ultra smooth surface finish is scratch resistant and ensures a lasting luminous sheen. You'll save plenty of time cleaning while your tap always looks shiny and new.



#### GROHE EcoJoy with water-saving function for reduced consumption

GROHE EcoJoy reduces water consumption by up to 50% without compromising on performance. Whenever you turn on your tap, you will enjoy a full jet of water while saving money nonetheless.

Smooth joystick handling for effortless precision and ultimate convenience to last a lifetime. The brand new GROHE FeatherControl cartridge brings joystick control to a whole new level. Using state-of-the-art coated ceramic discs and an innovative sealing, the GROHE engineers have created a joystick cartridge with a wider volume and temperature angle – for a more precise control – with the same silky smooth operation as our renowned GROHE SilkMove® cartridge.

Only GROHE mixers deliver the unique GROHE FeatherControl experience. The solid smooth handling of our joystick-lever mixers perfectly expresses the quality and superiority of our brand.brand.



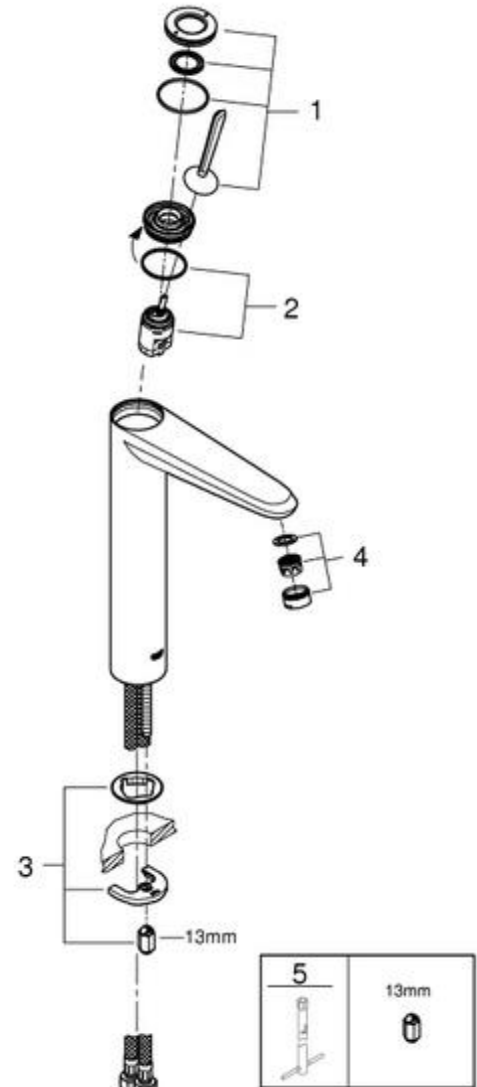
The wide FeatherControl temperature angle ensures more precise temperature control.



Effortless fingertip control and silky smooth operation, thanks to the superior ceramic disc-coating.



GROHE  
FeatherControl



Pos.-nr.	Prod. description	Order-nr.
1	Lever	46906LS0
2	Cartridge	46907000
3	Shank fastening assembly	46645000
4	Mousseur	48159000
5	Mounting wrench	19017000*

\* Optional accessories

#### Note:

\* All information of the above is for the reference only. No prior notice is made if any changes.